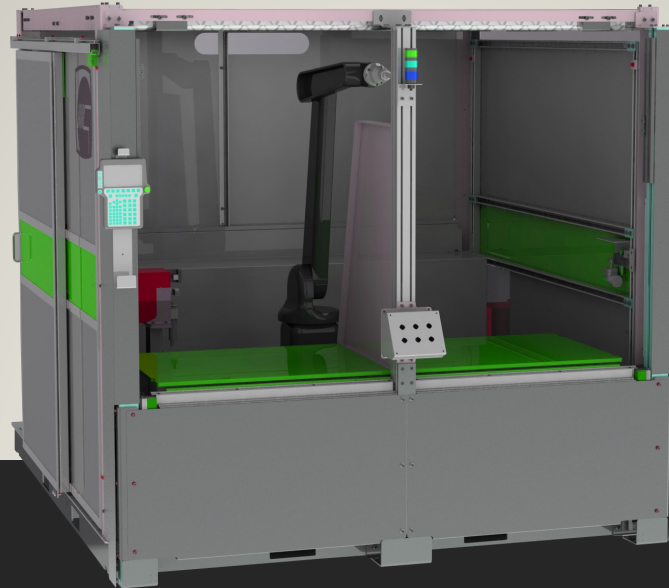


PADGET
TECHNOLOGIES, INC

WELDING CELLS FEATURING



POSITIONERS



CRZ FT

Pre-Engineered Robotic Welding Solution

For welding small parts in a compact space

CRZ FT Weight Capacity

1,000-lbs. (per station) Single or two-station table configuration

1,650-lbs. (per station) Two-station trunnion configuration

600-lbs. (per station) Two-station trunnion configuration

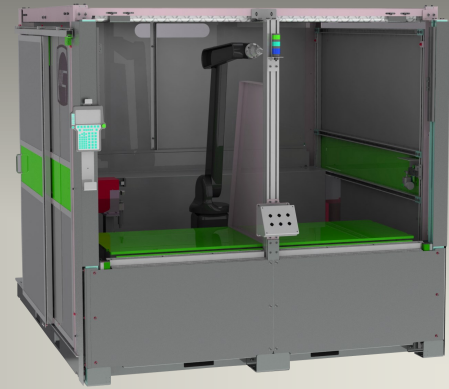
Reduce weld cycle time with compact multiple work cell configuration

The CRZ FT pre-engineered robotic welding work cell features a slim, side-by-side dual station or single station configuration for welding and positioning small to medium parts.

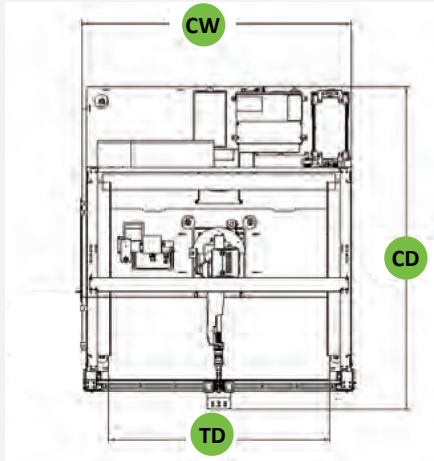
- ✓ Available in side-by-side 2 station or single station configuration
- ✓ Trunnion option for part positioning
- ✓ Compact guard door reduces required floor space and operator walk distances
- ✓ Reduced downtime during changeover
- ✓ Independent stations reduce weld cycle time
- ✓ Configurable for multiple in-line system layouts

PADGETTECHNOLOGIES.COM

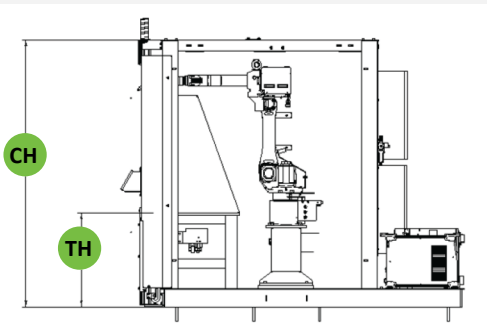
CRZ FT



TOP VIEW



SIDE VIEW



Standard Dimensional Specifications

- TD Table Dimensions:**
Single station 30-inches (762-mm) x 80-inches (2032-mm)
Two stations 30-inches (762-mm) x 40-inches (1016-mm)
- TH Table Height:** 32-inches (812-mm)
- CW Cell Width:** 99-inches (2515-mm)
- CD Cell Depth:** 111-inches (2820-mm)
- CH Cell Height:** 91-inches (2311-mm)

Standard Component Options

- Robot Models:** FANUC, Panasonic, Yaskawa Motoman, ABB
- Process Gear:** Miller, Lincoln, Fronius
- Welding Torches:** TBi, Tregaskiss, Abicor Binzel, Fronius
- Torch Cleaners:** TBi, Tregaskiss, Abicor Binzel
- Controls:** Allen-Bradley

Platform Specifications

BASE

OPTIONAL

Table Dimension

Single station 30-inches (.76-meters) x 80-inches (20-meters)
Two stations 30-inches (.76-meters) x 40-inches (.10-meters)

Single Station Trunnion
(64-inch tool length, 39-inch tool swing diameter, 1,650 lbs. weight capacity)

Load Height

32-inches (.81-meters)

Weight Capacity

1,000 lbs. (454-kg)

Two Station Trunnion
(32-inch tool length, 39-inch tool swing diameter, 600 lbs. weight capacity)



915 Center St.
Cedar Falls, IA 50613
TEL: 319-268-6827

WWW.PADGETTECHNOLOGIES.COM