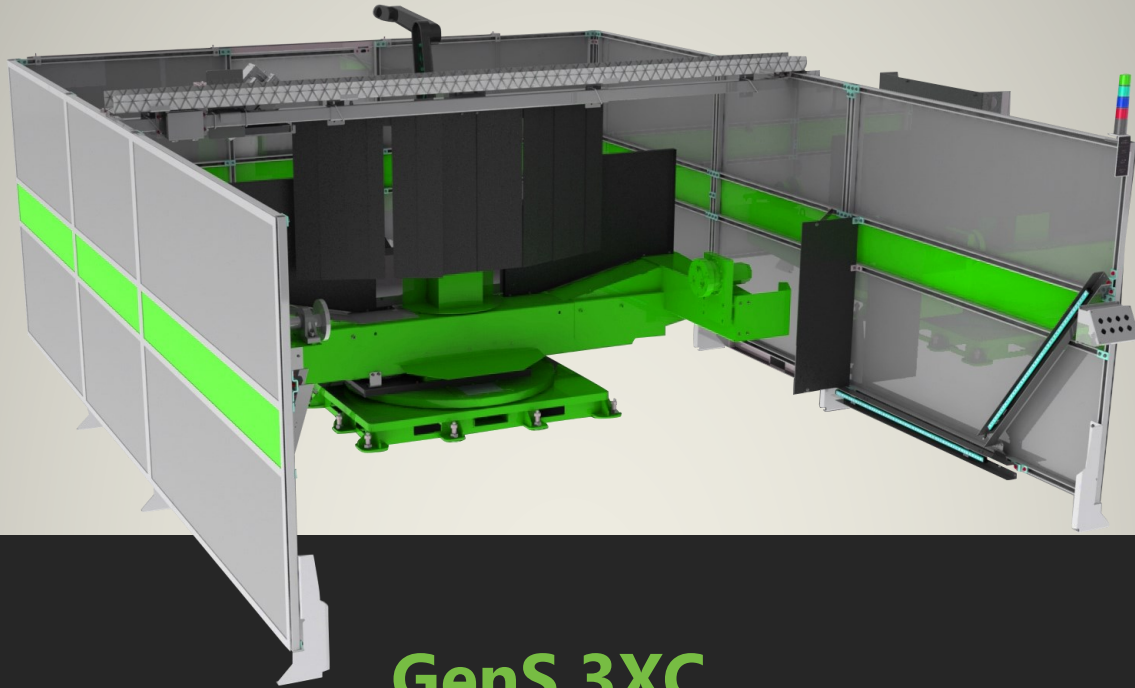


PADGET
TECHNOLOGIES, INC

WELDING CELLS FEATURING
POSITIONERS



GenS 3XC Pre-Engineered Robotic Welding Solution

For welding small parts in a compact space

GenS 3XC Weight Capacity: 1,000-kg (per station)

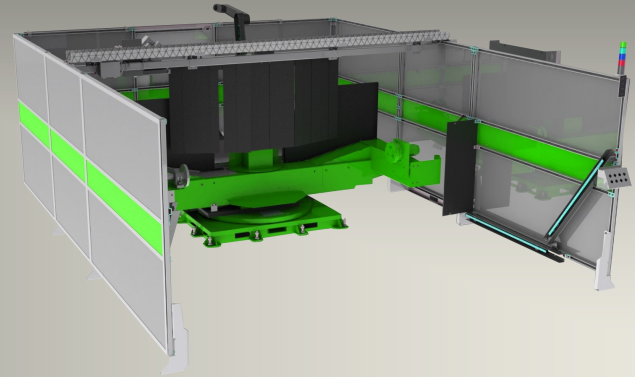
Save on Space & Production Time with Center-Mount Robot Design

The Genesis GenS 3XC pre-engineered robotic welding work cell features a three-axis servo-driven indexing turntable system and center mount robot design for reduced weld cycles of

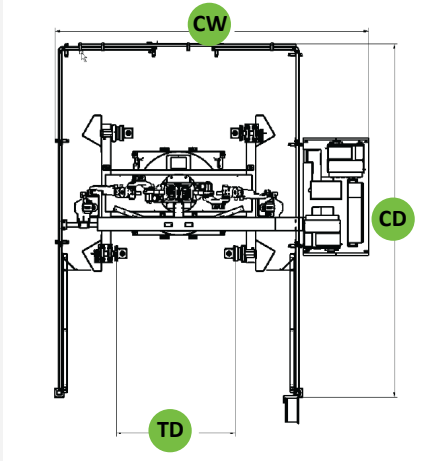
- ✓ Fast index time reduces weld cycle
- ✓ Center-mount robot design allows automated Upload of parts from weld station
- ✓ Accommodates large tool lengths, swing diameters and high weight capacity
- ✓ Configurable to meet application-specific Requirements
- ✓ Common base for robot / positioner
- ✓ Allows automated unload of parts from the weld station

PADGETTECHNOLOGIES.COM

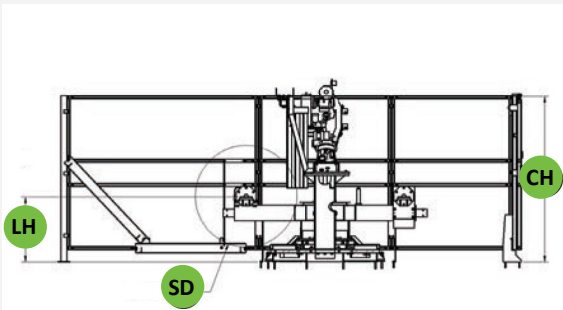
GenS 3XC



TOP VIEW



SIDE VIEW



Standard Dimensional Specifications

- TL Tool Length:** 2.0-meters (78-inches)
- SD Tool Swing Diameter:** 1.25-meters (49-inches)
- LH Load Height:** 1.0-meter (39-inches)
- CW Cell Width:** 3490-mm(137-inches)
- CD Cell Depth:** 4490-mm (176-inches)
- CH Cell Height:** 2600-mm (102-inches)

Standard Component Options

Robot Models: FANUC, Panasonic, Yaskawa Motoman, ABB

Process Gear: Miller, Lincoln, Fronius

Welding Torches: TBi, Tregaskiss, Abicor Binzel, Fronius

Torch Cleaners: TBi, Tregaskiss, Abicor Binzel

Controls: Allen-Bradley

Platform Specifications

BASE

| | |
|------------------------------|-----------------------------|
| Main Axis | Servo Driven |
| Main sweep index time | 4.5 to 5.0 seconds |
| Minor axis | Dual servo driven trunnions |
| Tool length | 2.0-meters (78-inches) |
| Tool swing diameter | 1.25- meters (49-inches) |
| Weight capacity | 1,000-kilograms (2,204-lbs) |

OPTIONAL

| | |
|---------------------------|-------------------------|
| 2.5-meters (98-inches) | 3.0-meters (118-inches) |
| 1.5-meters (59-inches) | |
| 1365-kilograms (3009-lbs) | |



915 Center St.
Cedar Falls, IA 50613
TEL: 319-268-6827

WWW.PADGETTECHNOLOGIES.COM